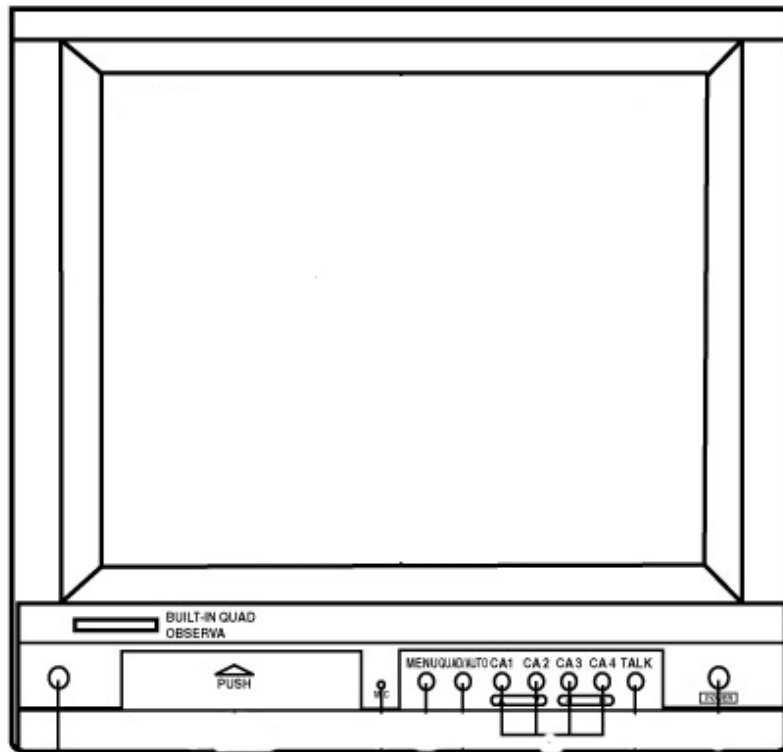


# SYLVANIA

## INSTRUCTION MANUAL

### 17" B&W QUAD OBSERVATION SYSTEM WITH FOUR CAMERAS



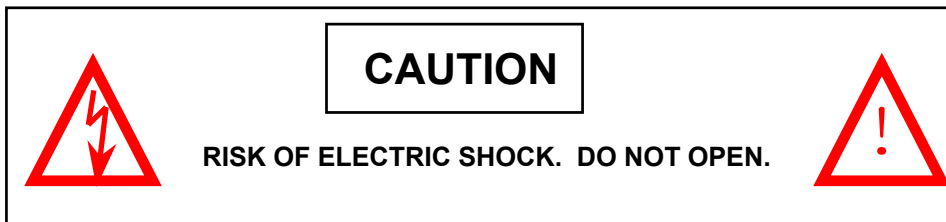
# SY3714R

BEFORE OPERATING THIS SYSTEM, PLEASE READ THIS MANUAL THOROUGHLY AND RETAIN IT FOR FUTURE REFERENCE

Thank you for purchasing the Sylvania 17" B&W Quad Observation System with Real Time Quad Processor. Sylvania is committed to providing our customers with a high quality, reliable security product that customers have come to expect from us.

To learn more about this system and to learn about our complete range of accessory products, please visit our website at:

**[www.strategicvista.com](http://www.strategicvista.com)**



**CAUTION! TO REDUCE THE RISK OF ELECTRIC SHOCK, DO NOT REMOVE COVER (OR BACK). NO USER-SERVICEABLE PARTS INSIDE. REFER SERVICING TO QUALIFIED SERVICE PERSONNEL.**

**Explanation of two Symbols**



The lightning flash with arrowhead symbol, within an equilateral triangle, is intended to alert the user to the presence of un-insulated "dangerous voltage" within the product's enclosure that may be of sufficient magnitude to constitute a risk of electric shock to persons.



The exclamation point within an equilateral triangle is intended to alert the user to the presence of important operating and maintenance- (servicing) instructions in the literature accompanying the appliance.

THE GRAPHIC SYMBOLS WITH SUPPLEMENTAL MARKING ARE ON THE BOTTOM OF THE SYSTEM.

**“WARNING – TO PREVENT FIRE OR SHOCK HAZARD, DO NOT EXPOSE THE UNIT TO RAIN OR MOSITURE”**

## NOTE

This equipment has been certified and found to comply with the limits regulated by FCC, EMC and LVD. Therefore, it is designed to provide reasonable protection against interference and will not cause interference with other appliance usage. However, it is imperative that user follows this manual's guidelines to avoid improper usage which may result in damage to the unit, electrical shock and fire hazard or injury.

In order to improve the feature functions and quality of this product, the specifications are subject to change without notice from time to time.

### FCC CLASS B NOTICE

**Note:**

This equipment has been tested and found to comply with the limits For a Class B digital device, pursuant to Part 15 of the FCC Rules. These limits are designed to provide reasonable protection against harmful interference in a residential installation. This equipment generates, Uses and can radiate radio frequency energy and, if not installed and used in accordance with the instruction, may cause harmful interference to radio communications. However, there is no guarantee that interference will not occur in a particular installation. If this equipment does cause harmful interference to radio or television reception, (which can be determined by turning the equipment off and on), the user is encouraged to try to correct the interference by one or more of the following measures:

- Reorient or relocate the receiving antenna.
- Increase the separation between the equipment and receiver.
- Connect the equipment into an outlet on a circuit different from that to which the receiver is connected.
- Consult the dealer or an experienced radio or television technician for help.

### FOR MORE INFORMATION:

[www.strategicvista.com](http://www.strategicvista.com)

# CONTENTS:

---

1. GENERAL PRECAUTIONS -----	2
2. CAUTIONS AND FEATURES -----	3
3. SYSTEM INCLUDES -----	4
4. MONITOR CONTROLS - FRONT PANEL -----	5
5. REMOTE CONTROL -----	8
6. MONITOR CONTROLS – BACK PANEL-----	9
7. STANDARD B&W CAMERA -----	10
8. MONITOR CONNECTIONS-----	11
9. TROUBLE SHOOTING -----	11
10. TECHNICAL SPECIFICATIONS -----	12
11. OPTIONAL ACCESSORIES -----	13
12. APPENDIX - A CONNECTING MONITOR TO A VCR-----	14
14. APPENDIX - B CONNECTING TO A LOREX TIME LAPSE VCR FOR ALARM REC.-----	15
15. APPENDIX - C CONNECTING TO A LOREX TIME LAPSE VCR FOR NORMAL REC.-----	16
16. SYLVANIA PRODUCT WARRANTY -----	17
17. CARE AND MAINTENANCE -----	18

# GENERAL PRECAUTIONS:

---

1. **Read Instructions**  
All of the safety and operating instructions should be read and understood before the product is used.
2. **Retain Instructions**  
The safety and operating instructions should be retained for future reference.
3. **Heed Warnings**  
All warnings on the product and the instruction manual should be followed.
4. **Follow Instructions**  
All operating and use instructions should be followed for optimal performance
5. **Cleaning**  
Disconnect this video product from the power supply before cleaning
6. **Attachments**  
Do not use attachments not recommended by the video product manufacturer as they may cause hazards.
7. **Water and Moisture**  
Do not use this product near water - for example, near a bathtub, wash bowl, kitchen sink, wet basement, or near a swimming pool.
8. **Accessories**  
Use this product only with a stand, tripod, bracket or table recommended by the manufacturer or sold with the product. Any mounting of the product Should follow the manufacturer's instructions.
9. **Ventilation**  
This product should never be placed near or over a Radiator or heat register. This product should not be Placed in a built-in installation, such as a book case Or rack, unless proper ventilation is provided or the Manufacturer's instructions have been adhered to.
10. **Power Source**  
This product should be operated from the type of Power source indicated by the marking label. If you Are not sure of the type of power supply to your Location, consult your product dealer or your local Power company
11. **Power Cord Protection**  
Power supply cords should not be routed so that they Are likely to be walked on or pinched by items placed On or near them
12. **Lightning**  
For added protection, unplug this product from its outlet during a lightning storm. This will prevent damage to the video product due to lightning and power surges
13. **Overloading**  
To avoid the risk of fire and electric shock, do not plug this video product into an over-loaded power supply
14. **Object and Liquid Entry**  
Never push objects into the openings of this product as they may touch dangerous voltage points that may result in fire or electric shock. Never spill a liquid of any kind on this product.
15. **Servicing**  
Do not attempt to service this product yourself as opening or removing covers may expose you to voltage or other hazards. Refer all servicing to qualified service personnel
16. **Damage Requiring Service**  
Disconnect this product from the power supply and refer servicing to qualified service personnel under the following conditions:
  - a. When the power supply cord or plug is damaged
  - b. If objects have fallen into the product
  - c. If the product has been exposed to rain or liquids
  - d. If the product does not operate normally by following the instruction manual. Adjust only the controls that are covered in the instruction manual as an improper adjustment may result in damage and will often require extensive work by a qualified service technician to restore the product to its normal operation
  - e. If the product has been dropped or the cabinet has been damaged
  - f. When the product displays a distinct change in performance - this indicates a need for service
17. **Replacement Parts**  
When replacement parts are required, be sure the technician uses replacement parts specified by the manufacturer. Unauthorized substitutions may result in fire, electric shock, or other hazards
18. **Safety Check**  
Upon completion of any service to this product ask the service technician to perform safety checks to determine that the product is in proper working condition

## **CAUTIONS:**

---

1. All the warnings and instructions of this manual should be followed
2. Remove the plug from the outlet before cleaning. Do not use liquid aerosol detergents. Use water damped cloth for cleaning
3. Do not use this unit in very humid and wet places
4. Keep enough space around the unit for ventilation. Slots and openings of the cabinet should not be blocked.
5. During flashes of lightning or cracks of thunder, or when the system is not used for a long time, unplug the system power supply and disconnect the antenna and cables to protect the unit from lightening or power surges.

## **FEATURES:**

---

### Monitor Features:

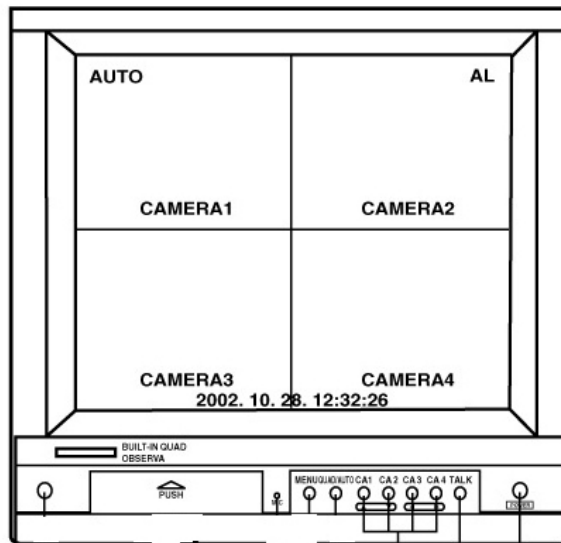
- 17" B&W quad observation system with real time quad processor (30 fps)
- Multi-voltage system 100 – 240Volts
- On screen display including date, time and camera
- Freeze Frame of each camera location in Quad mode or full screen
- Selectable dwell time (alarm and sequential)
- Remote Control or main panel operation
- ON/OFF power switch allows monitor to be turned off while recording
- Sequentially rotate through full screen display of each camera location
- One camera full screen viewing
- Alarm output to connect monitor to optional recording devices
- Alarm inputs/outputs
- Built in speaker and microphone for two way audio communication

### Standard Camera Features

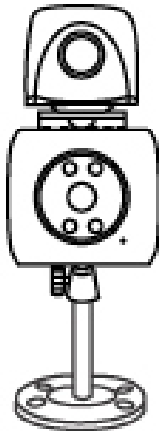
- 1/3" CCD Camera
- Camera with infra-red emitters 'See in the Dark'
- Built in speaker and microphone to allow for two way audio communication
- PIR sensor detects movement and triggers monitor to full-screen display
- Metal mounting bracket

# SYSTEM INCLUDES :

---



**17" B&W QUAD MONITOR WITH  
REAL TIME QUAD PROCESSOR**

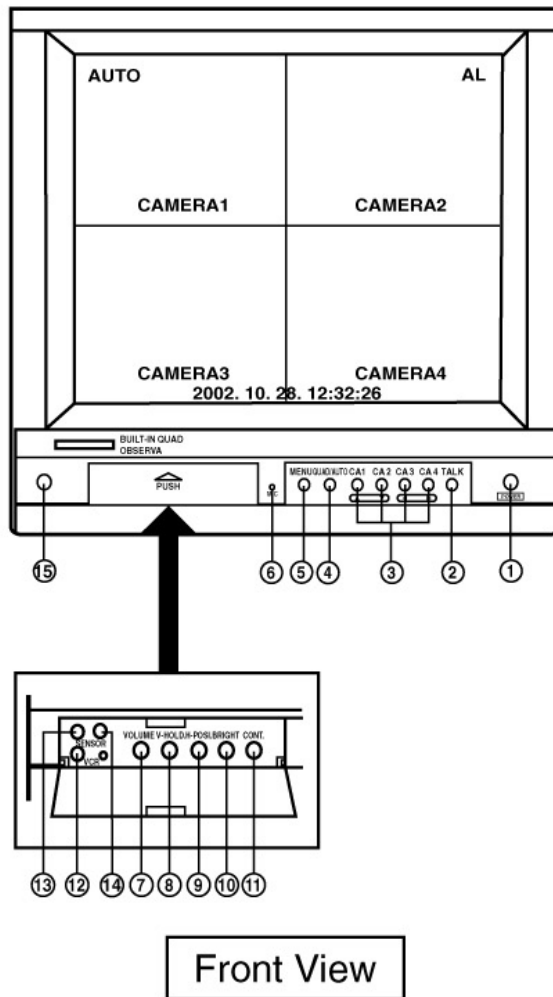


**4- 1/3" CCD PIR MOTION  
SENSOR CAMERAS WITH METAL STAND**



**4 - 65 Ft CABLES**

# MONITOR CONTROLS - FRONT PANEL:



- 1. Power Switch** - Pressing this switch will turn power ON to the monitor. Pressing it again will turn the power OFF. The master power switch, which controls the monitor is located at the back of the unit.
- 2. Talk Button** - I) Full screen mode - The user can talk to the specific camera location by pressing and holding this button. The talk button must be pressed the entire time, while talking. To listen to camera location release the talk button.  
II) Quad Mode – In quad mode, the talk feature can only be utilized for two way audio communication from one camera. The user must therefore select the camera to which they want to utilize this feature. To utilize the talk feature in Quad mode proceed as follows:
  - a) Press the talk button . A 'T' will appear on the camera 1 screen
  - b) Continue pressing the talk button until the letter 'T' appears in the desired screen
  - c) Press the channel button corresponding to where the 'T' letter appears. Press and hold this button. Release the button to listen to the camera.
- 3 Camera 1,2,3,4 Buttons** - these buttons allow the user to go to full screen display of each of the four cameras.
- 4. Auto / Quad (Auto Sequential Display Select Button)** – This button will place the unit into Quad display or sequential display mode. In sequential display mode, the monitor will automatically rotate between the different channels



**5. MENU BUTTON** – The monitor has a number of programmable features available by using the Menu option. To enter the Menu selection, press the MENU button. The main menu as identified will appear.

### MAIN MENU

1. TITLE SET
2. SEQUENCE
3. SCAN DWELL TIME
4. ALARM RESET TIME
5. TIME/DATE
6. EXIT

NOTE: TWO OPTIONS ARE AVAILABLE FOR CHANGING OPTIONS WITHIN THE MAIN MENUS.

Monitor Panel - Use the ▲▼ (Up/Down) and ◀▶ (left/right) arrow buttons located on the front of the monitor to move around the screen.

Remote Control - Use the ▲ ▼ (CA1/CA2) and ◀▶ (CA3/CA4) buttons to move around the screen

**TITLESET** - This button allows the user to title each camera. A total of up to 8 characters is available. Use the ▲ ▼ (up/down) and ◀▶ (left/right) buttons to set the titles. When complete, press the MENU button until you exit this menu

**SEQUENCE** - This function is used in auto mode. The camera will automatically rotate between the four camera locations in AUTO mode. The monitor has been defaulted to a 1-2-3-4-Q (quad) setting. Use the ▲ ▼ (up/down) and ◀▶ (left/right) buttons to change the sequence settings. When complete press the menu button.

**SCAN DWELL TIME** - This function is used in auto mode. It controls the speed to which the monitor moves from one camera to another. The setting is defaulted to 1 second but can be adjusted to 1 - 60 seconds. Use the ▲▼ (up/down) buttons to set the dwell time. When complete press the menu button

**ALARM MODE** - This function will enable the monitor to automatically bring the trouble location to Full screen when a PIR Motion sensor camera detects movement. The letters AL will appear At the top right corner of the screen and the camera location where the alarm has taken place Will appear in the top left hand corner. An Alarm buzzer will sound to alert the user of an Emergency situation. This alarm will sound for five seconds.

Individual selection of Alarm reset time and alarm ON/OFF can be done. Proceed to the Alarm Mode menu to change these settings

Note: When motion has stopped, the monitor will automatically switch back to the previous Mode in which it was set. Should additional triggers be received during subsequent periods The system will automatically switch to the relevent cameras and continue the warning sound.

**TIME/DATE** - This function allows the user to set the date and time. Use the ▲▼ (up,down) and ◀▶ (left, right) buttons to change settings. When complete, press the MENU button to Exit the time/date menu

**6. Microphone** - Picks up sound around the monitor

**7. Volume Control** - Controls the Volume. Turn knob to reach the desired volume level.

**8 Vertical Hold Control Knob** Used to adjust vertical synchronization of the picture

**9. Horizontal Position** - Used to adjust the horizontal synchronization of the picture

**10. IR Window** - Receives signal from Remote Control

**11. Contrast Control** - Adjust the contrast picture. Turn knob to reach desired contrast level.

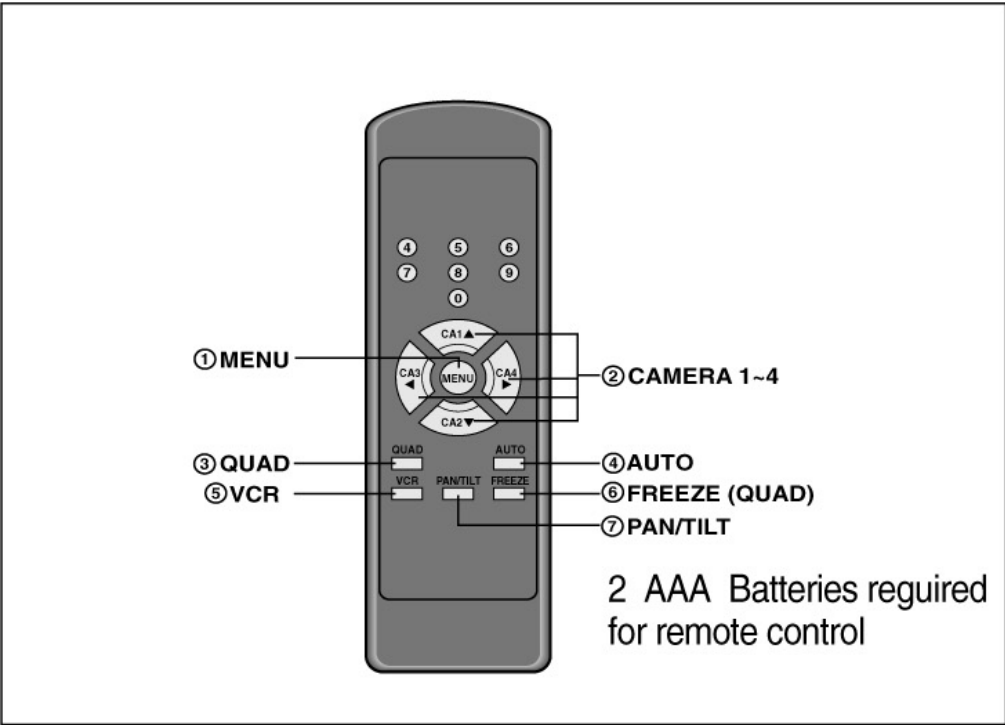
**12. VCR ON/OFF Selector** – Press this button to playback the video signal from the VCR. To return, press the button again.

**13. PAN /TILT ON OFF Selection** - This feature does not work with this system

**FREEZE ON/OFF SELECTION** - This function will enable the monitor to automatically bring the trouble location to full screen when a PIR Motion sensor camera detects movement. The letters AL will appear at the top right corner of the screen and the camera location where the alarm has taken place will appear in the top left hand corner. An Alarm buzzer will sound to alert the user of an emergency situation. This alarm will sound for five seconds.

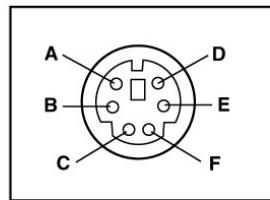
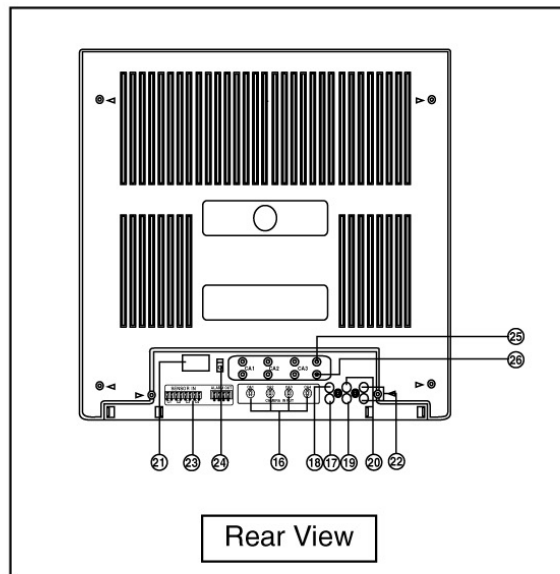
**REMOTE CONTROL :**

Listed below are the features of the Remote Control. For more details on specific remote control features, refer to the Monitor feature section.



KEY	FUNCTION DESCRIPTION
MENU	Calls up the MENU feature
1 – 4	Allows user to select individual cameras. Press the button a second time to freeze the Camera
QUAD	Sets monitor to QUAD Mode
AUTO	Sets monitor to AUTO Mode
VCR	Sets monitor to VCR Mode
FREEZE	Used in Quad mode to 'Freeze' the camera. Press the 1-4 buttons to individually Freeze each camera.
PAN/TILT	Not Available with this system

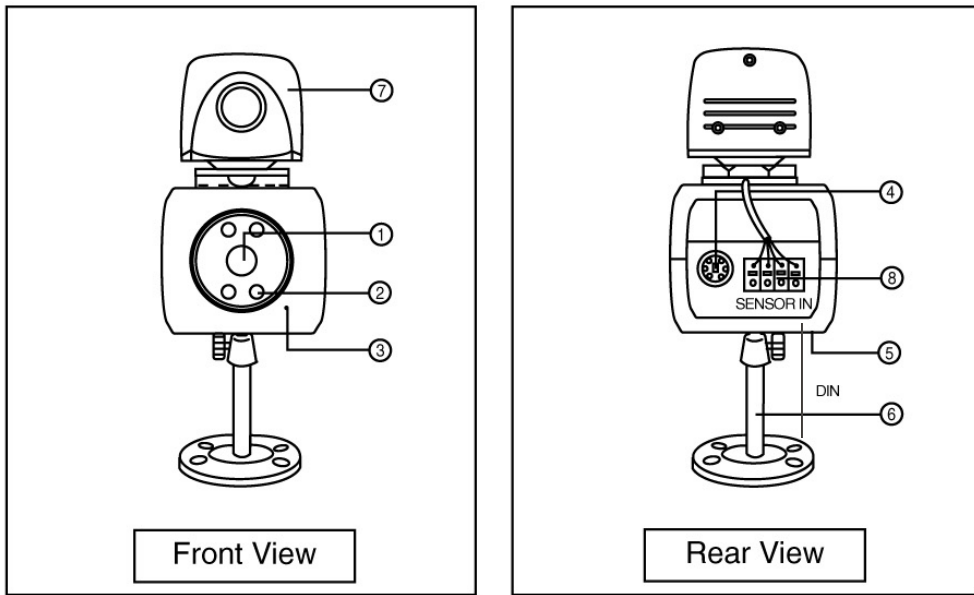
# MONITOR CONTROLS - BACK PANEL:



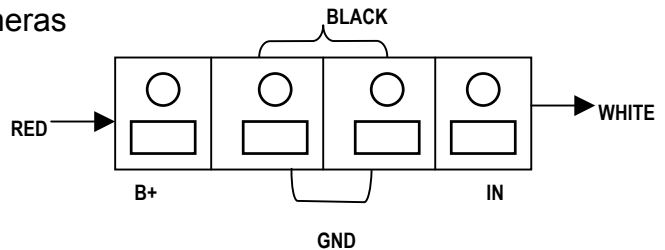
- A) B+
- B) Audio in
- C) Camera audio AMP: B+,  
PAN/TILT control signal
- D) Video in
- E) Audio out
- F) N.C

16. **6 Pin Din Camera Inputs** - Channel 1-4 camera inputs (for camera switch 6 pin din camera inputs)
17. **Video Input** Receives video signal from VCR and other recording devices
18. **Audio Input** Receives audio signal from VCR or other recording devices
19. **Audio Output** Transmits audio signal from the monitor
20. **Video Output** Transmits video signal from the monitor
21. **AC Input** - This Cord is used to connect the supplied power cord from the monitor to an electrical outlet. AC 100V ~ 240V, 50/60Hz.
22. **Slave Monitor Output** - Audio and video output for connection to a slave or auxiliary monitor
23. **Alarm inputs /outputs** – These terminals are used to connect external alarm devices (e.g. Time Lapse VCR, Door Sensor etc.). Refer to Alarm connection in the appendices for further details.
24. **Power Switch(main power switch)** - This button controls power to the entire unit. Depress the side with the 'I', to turn power ON. Depress the 'O' side to turn the unit OFF.
25. **BNC Camera Inputs** - Channel 1-4 camera inputs (for cameras with BNC inputs).
26. **BNC Camera Inputs** - Channel 1-4 camera inputs (for cameras with BNC inputs).

# STANDARD B&W CAMERA :



1. Camera Lens - Delivers high quality image by using a 1/3" CCD Image Sensor
2. Infra Red LED's Illuminators which allow user to 'See In the Dark'
3. Microphone – Picks up sound around the camera
4. Camera Inputs - Connects cable to monitor
5. Speaker – Delivers sound from the monitor to the camera
6. Bracket - Metal bracket connects to camera for mounting to walls, ceilings or table
7. PIR Sensor – Detects movement / motion.
8. Sensor Input - Connects PIR Sensor to cameras

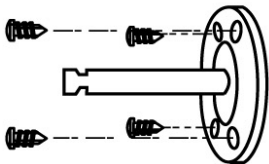


## INSTALLATION

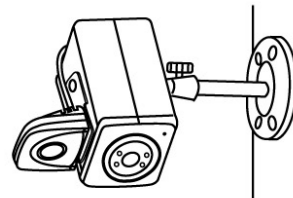
### A. Camera Unit

Permanent installation using metal camera bracket

1. Attach the Pedestal using 4 screws.



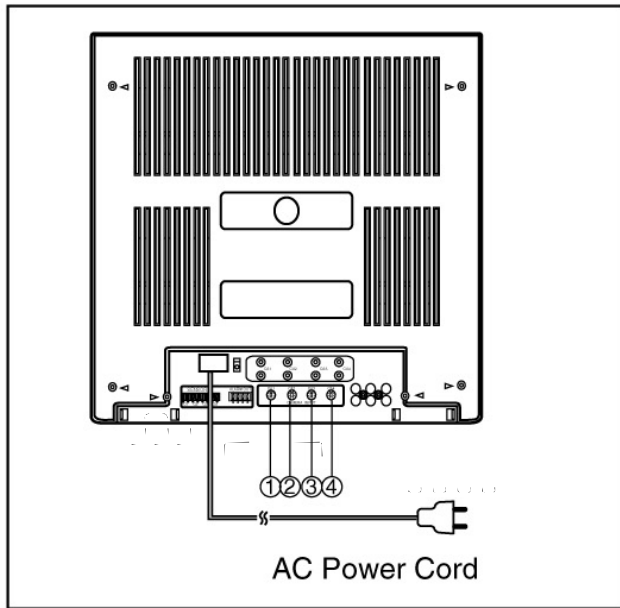
2. Attach the Camera onto the Pedestal and tighten the thumb screw.



### IMPORTANT NOTE:

Keep camera installed away from direct sunlight. Also avoid places where humidity is high or unable to protect rain. The mounting bracket must be attached to a structural device such as wall stud or ceiling rafter using suitable fastener.

## MONITOR CONNECTIONS :



1. Camera 1 input  
Connect one end of the supplied 65ft cable to the first wired camera and the other end to the camera 1 input
2. Camera 2 input  
Connect one end of the supplied 65ft cable to the first wired camera, the other end to camera 2 input
3. Camera 3 input  
Connect one end of the supplied 65ft cable to the second wired camera, the other end to camera 3 input
4. Camera 4 input  
Connect one end of the supplied 65ft cable to the third wired camera, the other end to camera 4 input

## TROUBLE SHOOTING:

If the system does not function properly, please check the following points.

### MONITOR

PROBLEM	REMEDY
Too dark or bright picture	Readjust the CONTRAST or BRIGHTNESS controls
NO POWER	Check AC connection
Picture but no sound	Adjust the VOLUME control
Shrinking picture	Check the condition of the POWER source
Poor picture quality	Clean the camera lens. Readjust the CONTRAST or BRIGHTNESS controls

### CAMERA

PROBLEM	REMEDY
No Picture	Check the cable for any loose connection
Picture Flickering or Over Exposed	Make sure the camera is not facing any direct light or Sunlight
Motion sensor not working	Check the connections from the PIR to the camera

## TECHNICAL SPECIFICATIONS:

---

### MONITOR

Picture Tube	17" B&W
Horizontal resolution	500 TV lines/digital
Camera Capable	Up to 4 (4 DIN / 8 BNC)
Quad Speed	30 fps
Camera Input	4 - 6 pin DIN / 4 BNC
Alarm Inputs/Outputs	8 push pin/4 push pin
Input signal	1 V p-p at 75 ohms terminated
Power Source	Multi-voltage (AC100V – 240 V)
Operating Temperature	32°F – 104°F (0° C – 40°C)
Cabinet	Metal cabinet with Plastic front

### STANDARD CAMERA

Image Device	1/3" CCD image sensor
Resolution	380 TV Lines
Lens	4.3mm
Shutter control	Auto 1/60 - 1/100,000
Power requirement	Powered from monitor via cable
Operating Temperature	-14°F – 122°F (-20°C to 50°C)
Weight:	12 oz (340 Grams)
Dimensions:	2.16" (W) x 3.03"(D) x 3.34"(H) (5.5cm (W) x 7.7cm (D) x 8.5cm(H))
Housings:	White

Because our product are subject to continuous improvement, SVC reserves the right to modify product design and specifications without notice and without incurring any obligation. E&OE

SYLVANIA is a registered trademark of OSRAM SYLVANIA INC. used under License Agreement.

## OPTIONAL ACCESSORIES:

---

The following accessories are available to add to your existing system.

### CABLE



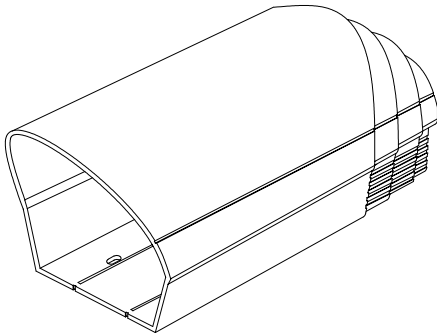
Extends viewing length from Camera to monitor. Available In 65, 100 and 250 ft lengths

### TIME LAPSE RECORDER



24 Hour Real Time or 960 Hour Time Lapse VCR. Records key events

### SUNSHADE HOUSING



Sunshade housing - Protects Camera from the sun.

### DIGITAL MONITORING SYSTEM



DM1440 - GIFT BOX

DM1440



Digital Monitoring System - Connects to PC to provide digital recording and remote security monitoring via internet or modem dial up.

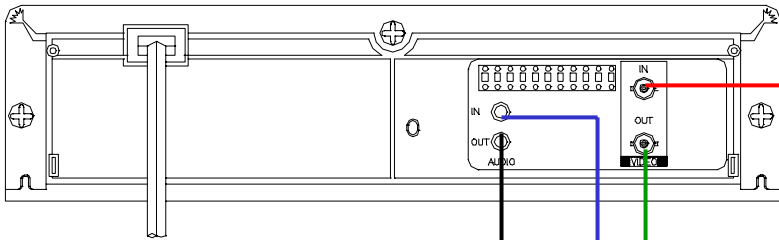
**For a complete listing of available accessories:**

**[www.strategicvista.com](http://www.strategicvista.com)**

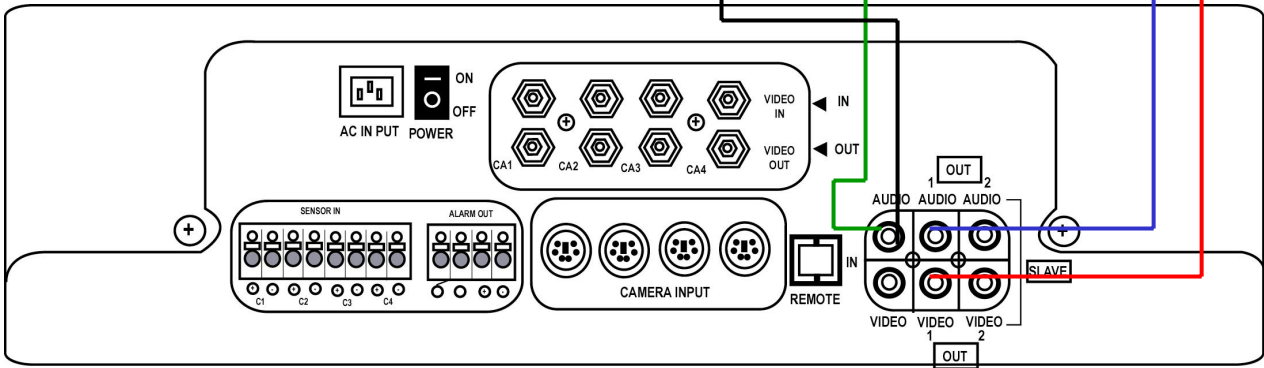


**APPENDIX - A  
CONNECTING MONITOR TO A VCR :**

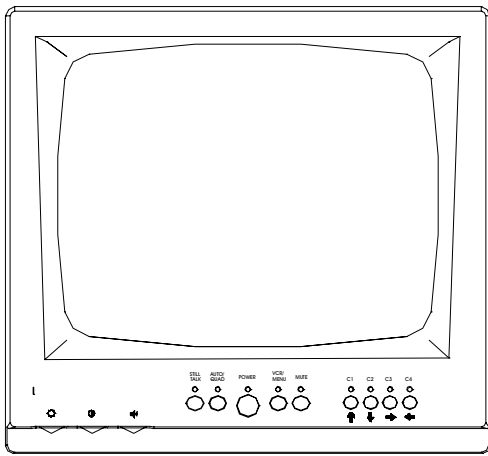
**BACK SIDE OF THE NORMAL VCR**



**BACK SIDE OF THE LOREX 17" QUAD OBSERVATION SYSTEM**



**NOTE: PLEASE MAKE SURE YOUR VCR IS IN A/V (AUDIO/VIDEO) MODE BEFORE PROCEEDING WITH RECORDING.**

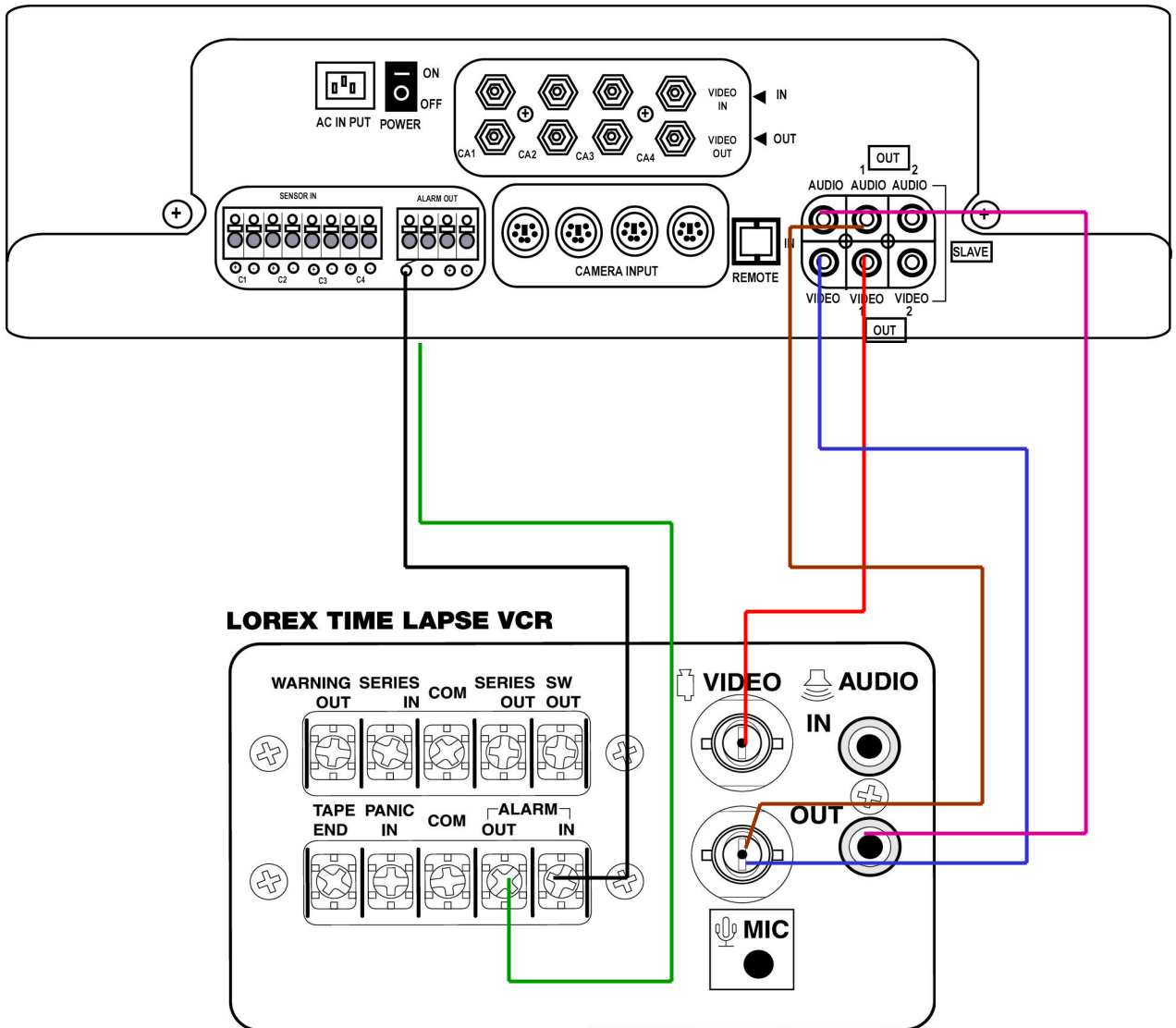


**SLAVE MONITOR**

# APPENDIX - B

## CONNECTING TO A LOREX TIME LAPSE VCR FOR ALARM RECORDING:

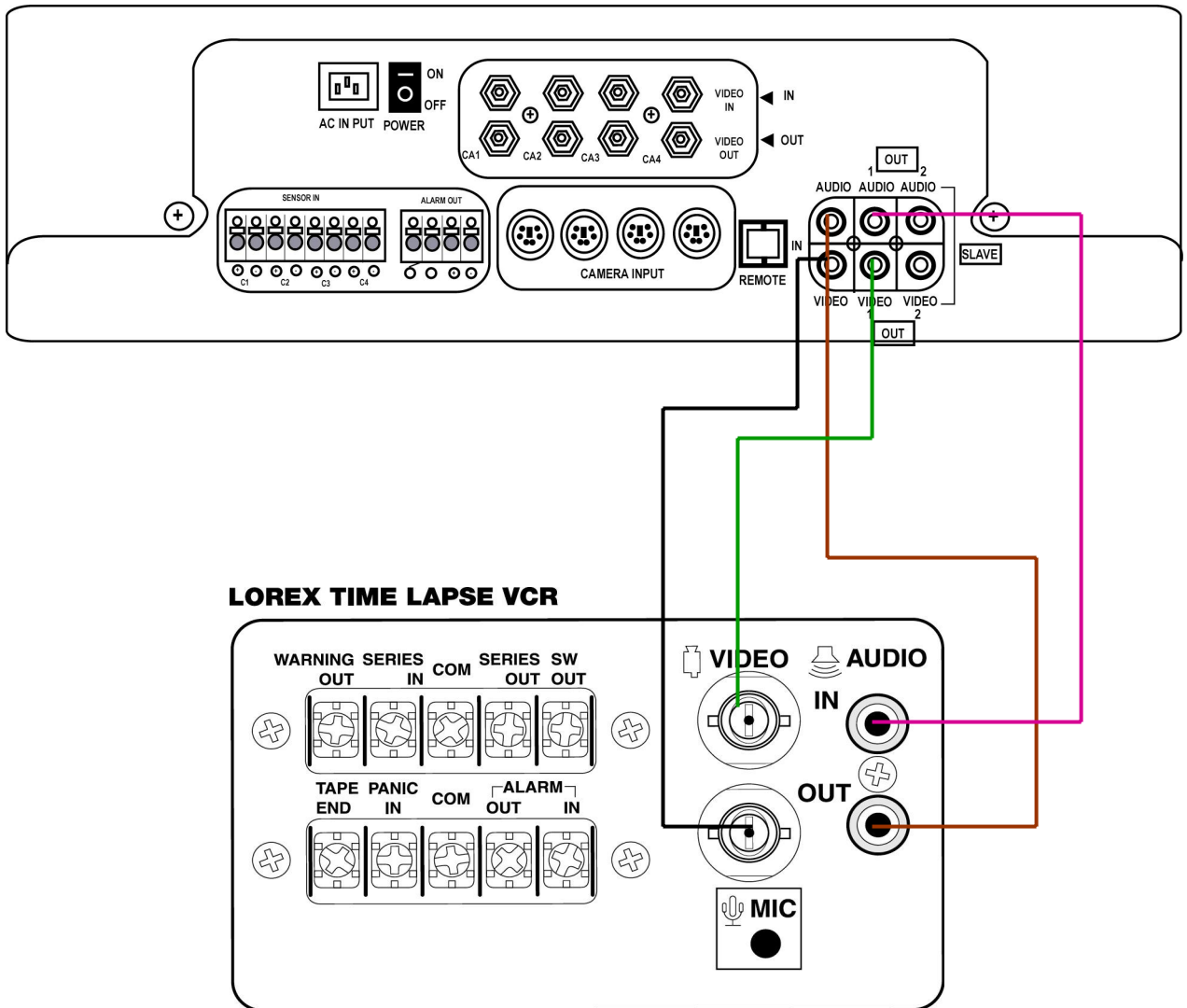
### BACK SIDE OF THE LOREX 17" QUAD OBSERVATION SYSTEM



# APPENDIX - C

## CONNECTING TO A LOREX TIME LAPSE VCR FOR NORMAL RECORDING:

### BACK SIDE OF THE LOREX 17" QUAD OBSERVATION SYSTEM



# SYLVANIA PRODUCT WARRANTY:

## SYLVANIA PRODUCT WARRANTY

SYLVANIA warrants, to the original retail purchaser only (the "Purchaser"), that this item (the "Product") is free from manufacturing defects in material and workmanship, provided the Product is used in normal conditions and is installed and used in strict accordance with the instructions contained in the Product's Owner's Manual. This warranty shall be for the following warranty periods (the "Warranty Period"), commencing on the date the Purchaser buys the Product at retail in an unused condition.

*All Other Components: Parts and Labor - 1 Year (Warranted parts do not include Bulbs, LED's and Batteries)  
Video Heads: Parts and Labor - 90 days*

SYLVANIA's obligations under this warranty shall be limited to the repair or replacement of any warranted parts found by SYLVANIA to be defective in the Product, or, in SYLVANIA's sole discretion, the replacement of the Product found to be defective.

Any replacement parts furnished by SYLVANIA in connection with this warranty shall be warranted to the Purchaser for a period equal to the unexpired portion of Warranty Period for the Product.

### Warranty Exclusions

This warranty does not apply to Bulbs, LED's and Batteries supplied with or forming part of the product.

This warranty is invalidated if other than SYLVANIA accessories are or have been used in or in connection with the Product or in any modification or repair is made to the Product be other than a service depot authorized by SYLVANIA.

This warranty does not apply to defects or damages arising by use of the Product in other than normal (including normal atmospheric, moisture and humidity conditions) or by installation or use of the Product other than in strict accordance with the instructions contained in the Product's owners Manual.

This warranty does not apply to defects in or damages to the Product caused by (i) negligent use of the Product, (ii) misuse or abuse of the Product, (iii) electrical short circuits or transients, (iv) Purchaser adjustments that are not covered in the Owner's Manual, (v) use of replacement parts not supplied by SYLVANIA (vi) improper Product maintenance, or (vii) accident, fire, flood or other Acts of God.

SYLVANIA reserves the right to make change in design or to make additions to or improvements in its products without incurring any obligation to modify any product which has already been manufactured.

This warranty is in lieu of other warranties, express or implied, and SYLVANIA neither assumes nor authorizes any person to assume for it any other obligation or liability in connection with the sale or service of the Product. In no event shall SYLVANIA be liable for any special or consequential damages arising from the use of the Product or arising from the malfunctioning or non-functioning of the Product, or for any delay in the performance of this warranty due to any cause beyond its control.

This warranty shall not apply to the appearance or accessory items including, but not limited to cabinets, cabinets parts, knobs etc., and the uncrating, setup, installation or the removal and reinstallation of products after repair. SYLVANIA does not make any claims or warranties of any kind whatsoever regarding the Product's potential, ability or effectiveness to prevent minimize, or in any way affect personal or property damage or injury.

SYLVANIA is not responsible for any personal damage, loss or theft related to the Product or to its use for any harm, whether physical or mental related thereto. Any and all claims or statements, whether written or verbal, by salespeople, retailers, dealers or distributors to the contrary are not authorized by SYLVANIA, and do not affect this provision of this warranty.

The purchaser may have other rights under state, provincial, or federal laws and where the whole or part of any item of this warranty is prohibited by such laws, it shall be deemed null and void, but the remainder of the warranty shall remain in effect.

### Obtaining Service

Should the Product require service under this warranty, the Purchaser must provide SYLVANIA with a copy of his/her original, dated bill of sale, receipt or invoice, failing which SYLVANIA will not perform any of its obligations under this warranty. To claim on this warranty, proceed with the following steps.

1 Pack the Product in a well-padded sturdy carton.

2.
  - i). If the unit was purchased in the United States proceed as follows:  
Include \$US 12.00 for monitors and VCR's and \$8.00 for Cameras for postage and handling (send check or money order, no cash please), along with a copy of your dated bill of sale, receipt, or invoice, plus a description of the Product's apparent malfunction and the telephone number where you can be reached during the day. Return the unit to: Strategic Vista Corp., 203 Eggert Road, Buffalo NY 14215
  - ii). If the unit was purchased in Canada proceed as follows:  
Include CDN \$18.00 for monitors and VCR's and \$12.00 for Cameras for postage and handling (send cheque or money order, no cash please), along with a copy of your dated bill of sale, receipt, or invoice, plus a description of the Product's apparent malfunction and the telephone number where you can be reached during the day. Return the unit to: Strategic Vista Corp. 300 Alden Road, Markham, Ont. L3R 4C1

**[www.strategicvista.com](http://www.strategicvista.com)**

Because our product are subject to continuous improvement, SVC reserves the right to modify product design and specifications without notice and without incurring any obligation. E&OE

SYLVANIA is a registered trademark of OSRAM SYLVANIA INC. used under License Agreement.

## CARE AND MAINTENANCE:

---

Please follow the following instructions to ensure proper care and maintenance of this system

Keep your monitor and camera dry. If it gets wet, wipe it dry immediately.



Use and store your unit in normal temperature environment. Extreme temperatures can shorten the life of the electronic devices.



Handle the monitor carefully. Dropping it can cause serious damage to the unit.



Occasionally clean the unit with a damp cloth to keep it looking new. Do not use harsh chemicals, cleaning solvents, or strong detergents to clean the unit.



Keep the unit away from excessive dirt and dust. It can cause premature wear of parts.